



WirelessAIR™ TANK SYSTEMS

Kit Number
**74100EZ &
74100**
EZ Mount & Upgrade Tank System
Installation Guide

Introduction

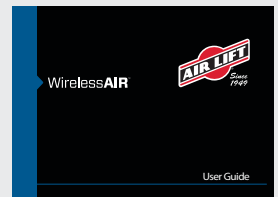
WirelessAIR™ Tank Systems combine a manifold and compressor into a tank system, along with a wiring harness and accessories needed to connect to vehicle power and air springs (purchased separately). The upgrade system allows you to upgrade your existing system into a tank system with all the appropriate integration pieces.

IMPORTANT: PLEASE READ BEFORE INSTALLING

IT IS IMPORTANT TO READ AND UNDERSTAND THE ENTIRE INSTALLATION GUIDE BEFORE BEGINNING INSTALLATION OR PERFORMING ANY MAINTENANCE, SERVICE OR REPAIR. THE INFORMATION HERE INCLUDES A HARDWARE LIST, STEP-BY-STEP INSTALLATION INFORMATION AND SAFETY INFORMATION.

USING THE SYSTEM

Refer to the WirelessAIR™ User Guide included with this kit to learn how to operate the system, connect the wireless controller and connect your mobile device to the system.



NOTATION EXPLANATION

Hazard notations highlight information that must be observed to help minimize risk of personal injury or possible improper installation, which may render the vehicle unsafe.



INDICATES IMMEDIATE HAZARDS WHICH WILL RESULT IN SEVERE PERSONAL INJURY OR DEATH.



INDICATES HAZARDS OR UNSAFE PRACTICES WHICH COULD RESULT IN SEVERE PERSONAL INJURY OR DEATH.



INDICATES HAZARDS OR UNSAFE PRACTICES WHICH COULD RESULT IN DAMAGE TO THE MACHINE OR MINOR PERSONAL INJURY.

TOOLS LIST

Description.....	Qty	Description.....	Qty
Power drill.....	1	3/32 Hex key	1
1/4", 3/8" Drill bits	1 ea.	Wire stripping/crimping tool	1
Grinder.....	1	Sharp razor knife	1
Standard wrench set	1	Lighter or torch.....	1
3/8", 1/2", 5/16", 9/16" Sockets & ratchet.....	1 ea.	Teflon tape.....	1

Protect your Air Lift Purchase by Completing your Warranty Registration



Thank you for purchasing an Air Lift load support product!
Take a photo of your sales receipt and then scan the
QR code to complete your online warranty registration.

TABLE OF CONTENTS

- 1 Introduction**
Notation Explanation
Tools List

- 4 Hardware Lists**

- 6 Suggested Component Layout**

- 7 EZ Mount Bracket Preparation**

- 8 Remote Mount the Filter/Pressure Switch/Solenoid Assembly (Upgrade Systems Only)**

- 9 Prepare the Tank (Tank Kit)**

- 10 Compressor Installation**

- 10 Remote Air Filter Installation**

- 11 Tank Installation**

- 11 Mounting the Filter/Pressure Switch/Solenoid Bracket (Upgrade Systems Only)**

- 12 Install WirelessAIR Tank + EZ Mount**

- 13 Frame Rail Component Wiring**

- 13 Engine Compartment Component Wiring**

- 14 Installation Diagram**

- 16 Remote Mount the Fill Port**

- 17 Cutting Air Lines**

- 17 Installing the Air Lines**

- 17 Final Steps: Mobile App/Controller Pairing**

- 19 Drilling Template for the Air Compressor (16544)**

- 21 Drilling Template for the EZ Mount Assembly (26566)**

- 25 Drilling Template for the Air Tank (11175)**

- 26 Limited Warranty and Return Policy**

- 26 Replacement Part Information**

- 26 Contact Information**

Video-enhanced installation guides

Visit airliftcompany.com/workshop/category/install-videos to access our installation video archive.*

Hardware Lists

WIRELESS AIR TANK UPGRADE (74100)

Item	Part #	Description.....	Qty
1A	11175	Air tank, 2 gallon	1
A	16544	Compressor, 444C chrome.....	1
B	26927	Harness, Wireless Air tank.....	1
C	22043	Air line, tire fill (coiled)	1
D	20230	Air line, 1/4" (30')	1
Hardware Pack (33044):			
E	10466	Zip tie, 8"	2
F	21455	Valve, double barb	1
G	18501	Flat washer, M8.....	1
H	18411	Lock washer, 5/16"	1
I	21230	Poly cap.....	1
J	21233	Hex nut, 5/16"-32	2
K	21234	Flat washer, 5/16" X 11/16"	1
Hardware Pack (32028):			
L	18435	Nylon lock nut, 3/8"-16.....	4
M	18444	Flat washer, 3/8"	4
N	17188	Hex cap screw, 3/8"-16 X 1 1/4"	4
O	17102	Self-threading screw, 5/16"-18 X 3/4"	4
P	18427	Split lock washer, 3/8"	4
Hardware Pack (32024):			
Q	17263	Self-tapping screw, 1/4"-14 X 1"	2
R	24500	ATC Fuse holder with cap.....	1
S	24501	Fuse holder, HHL with cap	1
T	24547	Spade fuse, 30A	1
U	24503	ATM fuse, 3A.....	1
V	24752	Center butt, 12-10 ga shrink tube	3
W	24646	Ring terminal, 12 ga (1/4" ID).....	3
X	24661	Center butt, 16 ga.....	2
Y	24524	Female spade terminal, 3/16"	1
Z	24594	Female spade terminal, 1/4" 16 ga.....	1
AA	24561	Mini fuse adapter.....	1
BB	24542	ATC/ATO Fuse tap in, 1/4"	1
CC	24748	Ring terminal, 12 ga (3/8" ID).....	2
DD	24680	Center butt, 18-22 ga shrink tube	2
EE	10466	Zip tie, 8"	15
Hardware Pack (32027):			
FF	21830	Elbow fitting, 1/4" MNPT X 1/4" PTC	3
GG	21037	Blow off valve, 175 PSI.....	1
HH	21011	Filter, 1/4" FNPT.....	1
II	21754	Drain cock, 1/4" MNPT.....	1
JJ	21939	Hex nipple, 1/4" stainless steel	1
KK	21869	Union, 1/4" FNPT X 1/4" PTC.....	1
Hardware Pack (32041):			
2A	21830	Elbow fitting, 1/4" MNPT X 1/4" PTC	2
3A	21930	Adapter, 1/8" to 1/4" NPT.....	1
4A	21839	Fitting, 1/4" PTC X 1/8" MNPT	1
5A	21740	Tee fitting, 1/8" MNPT X 1/8" FNPT.....	1
6A	17102	Self-threading screw, 5/16"-18 X 3/4"	2
7A	11786	Bracket, stand-alone filter	1
8A	18576	Flat washer, M4.....	2
9A	18636	Split lock washer, M4.....	2
10A	17555	Serrated hex cap screw, M4-.7 X 8	2
11A	24785	Pressure switch, 110-145 PSI	1
12A	24636	SOL, 2WY NC, 9WT, 5/64" ORIFICE	1

WIRELESS AIR EZ MOUNT TANK SYSTEM (74100EZ)

Item	Part #	Description.....	Qty
1A	11175	Air tank, 2 gallon	1
1B	73006	Wireless Air Display	1
8B	26566	EZ Mount assembly	1
A	16544	Compressor, 444C chrome.....	1
B	26927	Harness, Wireless Air tank.....	1
C	22043	Air line, tire fill (coiled)	1
D	20230	Air line, 1/4" (30')	1
Hardware Pack (33044):			
E	10466	Zip tie, 8"	2
F	21455	Valve, double barb	1
G	18501	Flat washer, M8.....	1
H	18411	Lock washer, 5/16"	1
I	21230	Poly cap	1
J	21233	Hex nut, 5/16"-32	2
K	21234	Flat washer, 5/16" X 11/16"	1
Hardware Pack (32028):			
L	18435	Nylon lock nut, 3/8"-16.....	4
M	18444	Flat washer, 3/8"	4
N	17188	Hex cap screw, 3/8"-16 X 1 1/4"	4
O	17102	Self-threading screw, 5/16"-18 X 3/4"	4
P	18427	Split lock washer, 3/8"	4
Hardware Pack (32024):			
Q	17263	Self-tapping screw, 1/4"-14 X 1"	2
R	24500	ATC Fuse holder with cap.....	1
S	24501	Fuse holder, HHL with cap	1
T	24547	Spade fuse, 30A	1
U	24503	ATM fuse, 3A.....	1
V	24752	Center butt, 12-10 ga shrink tube	3
W	24646	Ring terminal, 12 ga (1/4" ID).....	3
X	24661	Center butt, 16 ga.....	2
Y	24524	Female spade terminal, 3/16"	1
Z	24594	Female spade terminal, 1/4" 16 ga.....	1
AA	24561	Mini fuse adapter	1
BB	24542	ATC/ATO Fuse tap in, 1/4"	1
CC	24748	Ring terminal, 12 ga (3/8" ID).....	2
DD	24680	Center butt, 18-22 ga shrink tube	2
EE	10466	Zip tie, 8"	15
Hardware Pack (32027):			
FF	21830	Elbow fitting, 1/4" MNPT X 1/4" PTC	3
GG	21037	Blow off valve, 175 PSI.....	1
HH	21011	Filter, 1/4" FNPT.....	1
II	21754	Drain cock, 1/4" MNPT.....	1
JJ	21939	Hex nipple, 1/4" stainless steel	1
KK	21869	Union, 1/4" FNPT X 1/4" PTC.....	1
Hardware Pack (32046):			
2B	11104	U-bolt.....	1
3B	17188	Hex cap screw, 3/8"-16 X 1 1/4"	2
4B	18435	Nylon lock nut, 3/8"-16.....	2
5B	18444	Flat washer, 3/8"	4
6B	17102	Self-threading screw, 5/16"-18 X 3/4"	2
7B	21838	Tee fitting, 1/4" PTC.....	2

IMPORTANT - PLEASE READ

If you purchased the upgrade kit, this installation guide will walk you through the steps to complete the finished installation. Before beginning, be aware that the compressor, wiring harness and electrical connections currently on your vehicle will **NOT** be used and will have to be removed before this process can be started.

This is for vehicles equipped with Standalone Kit 74000 or EZ Mount Kit 74000EZ.

Suggested Component Layout

This guide should be used as a general reference. The layout (Fig. 1) may need modification based on your application.

- Ideally, tank systems should be mounted in the middle of the vehicle (Fig. 1) to optimize the wireless performance.

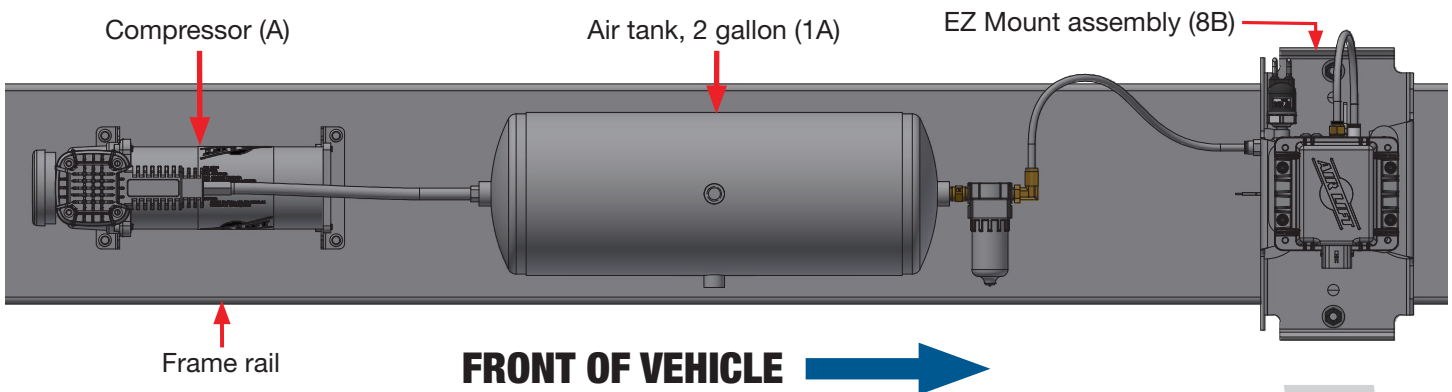


fig. 1

- Avoid routing air lines and wiring near sharp edges. If passing air lines or wiring through holes in the frame, use rubber grommets (not supplied) (Fig. 2). Support wiring and air lines every 8-12" (200-300mm) with zip ties or other means.
- Keep wiring, air lines, EZ Mount, tank and compressor at least 6" away from heat sources such as the exhaust.

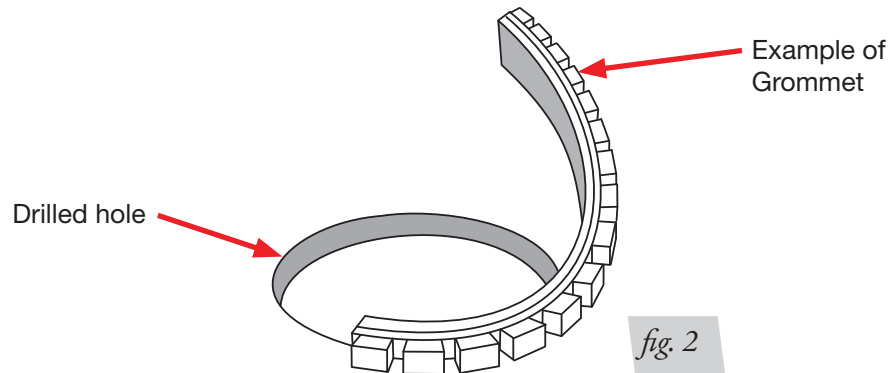


fig. 2

- Layout the system before drilling holes to make sure all necessary wiring connections can be made based on the harness wiring drops. (i.e., manifold assembly and tank assembly per the harness can be no longer than ~6' apart). Do not extend wiring.



BEFORE DRILLING, ENSURE THE BACK SIDE OF THE FRAME RAIL IS CLEAR OF VEHICLE COMPONENTS, INCLUDING BRAKE LINES, FUEL LINES, WIRING, ETC.

EZ Mount Bracket Preparation



If you purchased the upgrade kit, you can skip to the Remote Mount Filter Assembly section.

Once the component layout has been determined, choose how to mount your EZ Mount bracket, horizontally or vertically.

1. If you plan to mount the EZ Mount bracket vertically (Fig. 3), skip to the Preparing the Tank section of this installation guide.
2. If you plan to mount the EZ Mount bracket horizontally (Fig. 4), you need to reposition the solenoid/filter bracket/air line into another orientation.
3. Remove the air line that attaches between the elbow fitting and the manifold (Fig. 3).
4. Remove the (4) screws mounting the manifold to the EZ Mount bracket (Fig. 3).

Vertical Orientation (How it ships)

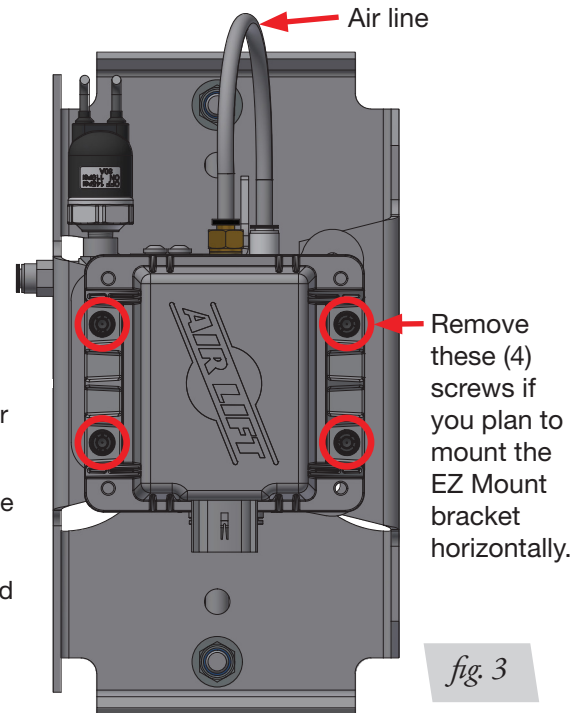


fig. 3

Horizontal Orientation (With changes)

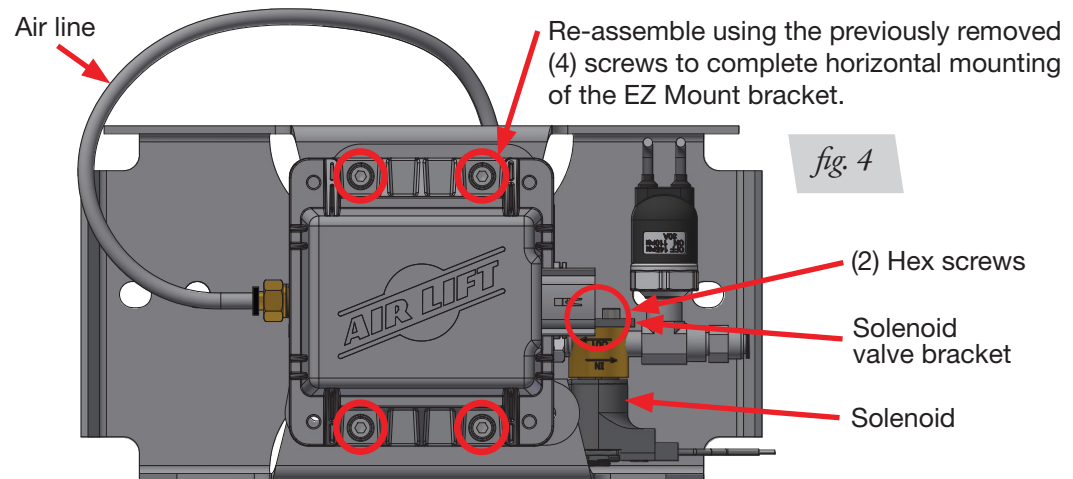


fig. 4

5. Remove the (2) hex screws from the solenoid valve bracket/assembly (Fig. 4) using a 3/32" hex wrench.

CAUTION

MAKE SURE THE HEX WRENCH IS FULLY SEATED SO AS NOT TO STRIP THE HEAD OF THE SCREW SINCE IT WILL BE USED ON THE RE-ASSEMBLY PROCESS.

6. Use the other (2) hole pattern in the bracket to re-install the assembly in the proper orientation (Horizontal) (Fig. 4). Torque the screws to 23 in.-lbs.
7. Re-assemble the bracket and manifold to the EZ Mount bracket (as shown in Fig. 4) with the previously removed (4) screws. Torque the screws to 23 in.-lbs.
8. Cut a piece of air line in a 10-12" length and connect between the elbow fitting and the manifold as shown in Figure 4.
9. EZ Mount is now ready for installation to the vehicle and will be explained in later steps.

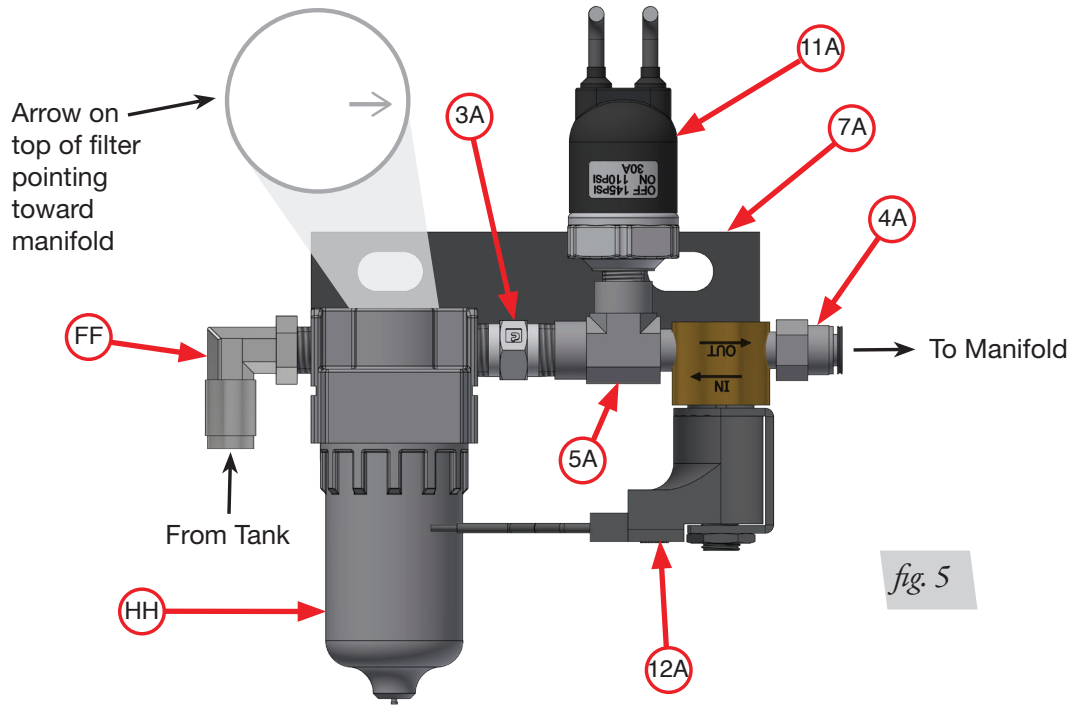
Remote Mount the Filter/Pressure Switch/Solenoid Assembly (Upgrade Systems Only)

NOTE

If you purchased the upgrade system, a bracket (7A) comes included that allows you to easily remote mount this assembly (Fig. 5). You can pre-build this assembly ahead of putting it on your vehicle for greater ease of installation. If not, skip to the Prepare the Tank (Tank Kit) section.

NOTE

Install all fittings 1 1/2-2 turns beyond finger-tight.



CAUTION

NEVER BACK OUT A FITTING AFTER IT IS INSTALLED BECAUSE IT COULD CAUSE A LEAK.

1. Assemble the elbow fitting (FF) to the inlet side (arrow line side) of the filter (HH).
2. Assemble the adapter fitting (3A) to the filter (HH) on the outlet side (arrow tip side), applying tape or pipe dope to install.
3. Assemble the straight fitting (4A) to the outlet side (arrow tip side) of the solenoid valve (12A).
4. Assemble the tee adapter (5A) to the solenoid valve (12A), applying tape or pipe dope to install.

NOTE

Ensure the tee side points up as shown in Figure 5.

5. Assemble the filter assembly and solenoid assembly together, applying tape or pipe dope to install.

NOTE

Ensure the filter and solenoid are both in the same vertical direction shown in Figure 5.

6. Lastly, attach the pressure switch (11A) to the tee adapter (5A).
7. Once complete, the assembly should look like Figure 5. The filter needs to be assembled to the bracket (7A) using a serrated hex cap screw (10A), split lock washer (9A) and flat washer (8A) torqued to 18-24 in.-lbs.
8. This is now ready to be attached to the vehicle in the following steps.

Prepare the Tank (Tank Kit)

1. Know which direction you plan to mount the tank with respect to the other components before starting to install the necessary fittings for proper setup (Figs. 6 & 12).
2. Install the drain cock (II) into the tank port that is meant to point to the ground (Fig. 6). Apply tape or pipe dope and install 1 1/2-2 turns beyond finger-tight.

CAUTION

TANKS ACT AS ACCUMULATORS AND WILL ACCUMULATE WATER FROM MOISTURE. IT WILL BE IMPORTANT TO PERIODICALLY DRAIN THE TANK USING THE DRAIN COCK; OTHERWISE, YOU COULD DAMAGE OTHER COMPONENTS IN THE SYSTEM.

NOTE

The blow off valve should not be installed in the port adjacent to the feet, as you won't be able to mount the feet based on its height.

3. Install the blow off valve (GG) across the belly of the tank using one of the other (2) available ports and tighten 1 1/2 turns beyond finger-tight (Fig. 6).
4. Install a 1/4" MNPT X 1/4" PTC elbow fitting (FF) to the last of the belly ports (Fig. 6). This will be used for manual fill port later in this manual.

NOTE

If you have an upgrade kit, skip this step and move to the Compressor Installation section because the filter was assembled in the Remote Mount Filter Assembly section already.

5. Install a 1/4" hex nipple (JJ) from the tank to the filter (HH) and then install an elbow fitting (FF) from the filter to the end port facing the manifold/EZ Mount assembly (Fig. 6). Apply tape or pipe dope and install 1 1/2-2 turns beyond finger-tight. Ensure the arrow on top of the filter points to the EZ Mount.

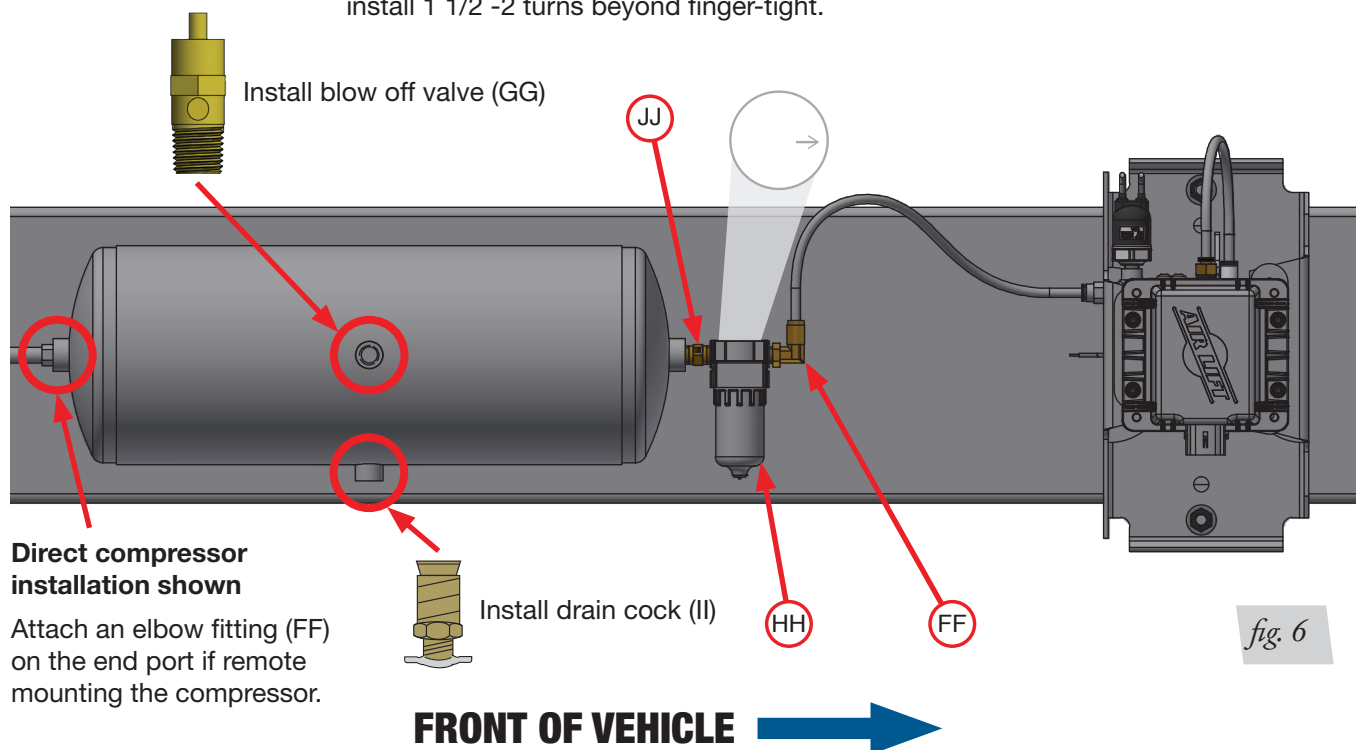
CAUTION

THE FILTER WILL COLLECT WATER AND NEEDS TO BE MANUALLY DRAINED PERIODICALLY SO THERE IS NO DAMAGE TO OTHER COMPONENTS IN THE SYSTEM.

NOTE

If the compressor leader line will be attached directly to the tank, then your tank prep is complete. (As shown in Fig. 1)

6. If the compressor leader line cannot reach the tank so it can be directly installed, install an elbow fitting (FF) on the last end port (Fig. 6). Apply tape or pipe dope and install 1 1/2 -2 turns beyond finger-tight.



Compressor Installation

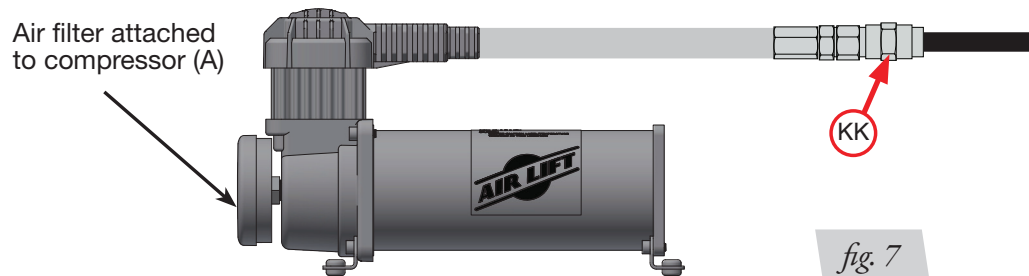
1. If you are not installing the leader line directly to the tank, attach the straight PTC fitting (KK) to the end of the leader line (Fig. 7). Apply tape or pipe dope and install 1 1/2-2 turns beyond finger-tight.
2. Prepare the compressor intake. If the compressor (A) is mounted inside the vehicle, attach the air filter to the port on the end of the compressor (Fig. 7). If the compressor is located outside the vehicle, snorkel the inlet air filter to a dry location inside the vehicle using components supplied with the compressor (Fig. 8).

NOTE

If locating the compressor outside the vehicle review the Remote Filter Installation section.

CAUTION

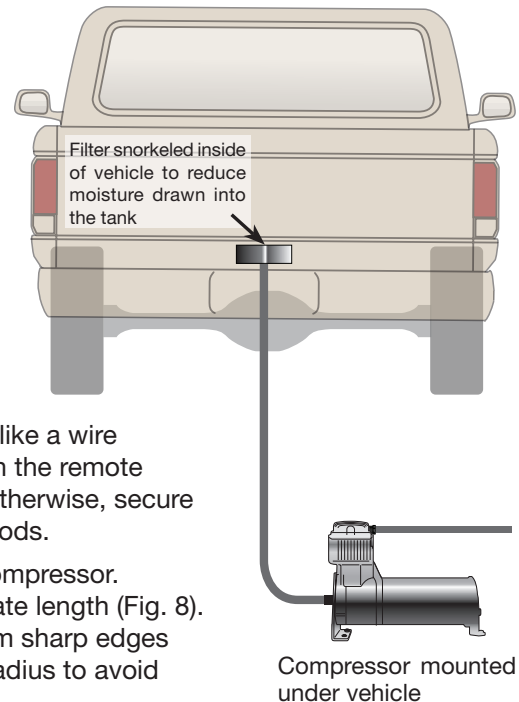
IF INSTALLING ON THE FRAME RAIL, ENSURE THE BACK SIDE OF THE FRAME RAIL IS CLEAR OF VEHICLE COMPONENTS, INCLUDING BRAKE LINES, FUEL LINES, WIRING, ETC. BEFORE DRILLING.



3. Based on your component layout, center-punch and drill four holes using the compressor or the drilling template (Fig. 19).
4. Secure the compressor using the supplied hardware.

Remote Air Filter Installation

1. Screw a 1/4" FNPT x 1/4" barbed tube fitting onto the inlet air filter and hand-tighten. No thread sealant needed.
2. Attach the 1/4" air line provided in the filter pack to the barbed tube fitting on the remote inlet air filter.
3. Locate an appropriate area where the remote inlet filter is to be installed. Keep in mind that the location should be dry and away from any heat source, and the air inlet slots on the inlet air filter are free from blockage.
4. Zip tie the filter to a non-heat source item like a wire harness or drill a 3/8" mounting hole. Push the remote filter bracket pin into the hole (optional). Otherwise, secure appropriately using proper fastening methods.
5. Route the air line to the inlet port of the compressor. Measure and cut squarely to the appropriate length (Fig. 8). Make sure when routing to keep away from sharp edges heat sources, and allow for proper bend radius to avoid kinking.
6. Attach the cut end of the 3/8" air line to the barbed tube fitting of the air inlet port on the compressor.



Tank Installation

1. Now that the component layout plan is completed and the tank is prepped, you are ready to install it to the vehicle. Please refer to the Installation Diagram (Fig. 12).
2. There are two mounting options: 1) hex cap screw (N), flat washer (M), lock washer (P) and lock nut (L); 2) Self-threading screw (O) and lock washer (P).

CAUTION

IF INSTALLING ON THE FRAME RAIL, ENSURE THE BACK SIDE OF THE FRAME RAIL IS CLEAR OF VEHICLE COMPONENTS, INCLUDING BRAKE LINES, FUEL LINES, WIRING, ETC. BEFORE DRILLING.

3. Use the drilling template (Fig. 22) to pre-drill holes for mounting the tank.
4. Use a 1/4" drill bit to make pilot holes if using the self-threading screws.

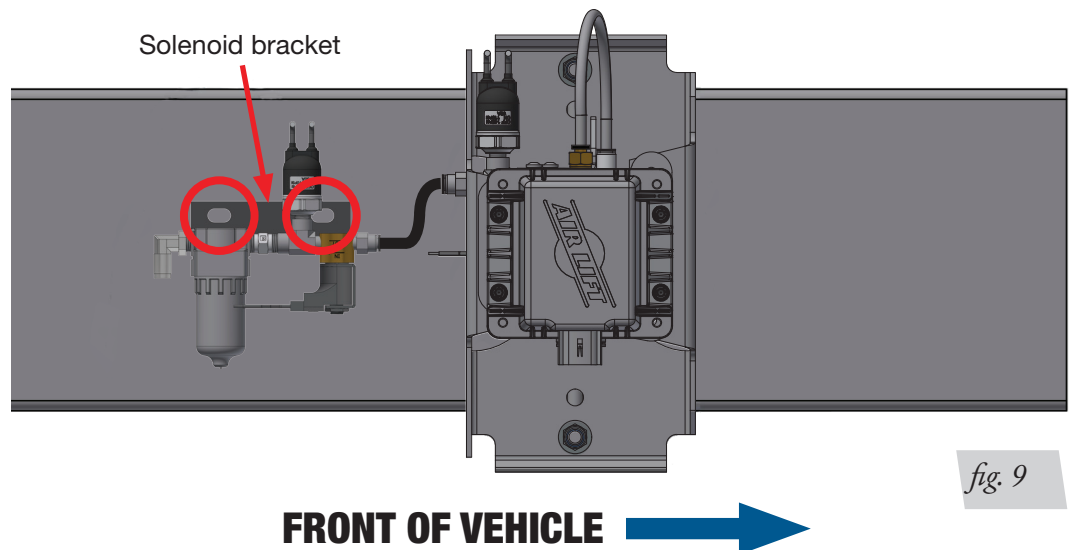
NOTE

There is NO torque specification provided for self-tapping screws because there are too many variables.

5. If using the thru bolts, drill a hole using a 3/8" drill bit and apply the hardware and torque to 21-25 lb.-ft. (30-34Nm) using the drilling template.

Mounting the Filter/Pressure Switch/Solenoid Bracket (Upgrade Systems Only)

1. Locate the bracket position based on the previously chosen component layout.
2. Use the bracket as a template to mark the frame where you want to install it (Fig. 9).



CAUTION

BEFORE DRILLING, ENSURE THE BACK SIDE OF THE FRAME RAIL IS CLEAR OF VEHICLE COMPONENTS, INCLUDING BRAKE LINES, FUEL LINES, WIRING, ETC.

3. Drill two pilot holes with a 1/4" drill bit.
4. Install (2) self-threading screws (6A).

NOTE

There is NO torque specification provided for self-tapping screws because there are too many variables.

Install Wireless Air EZ Mount

1. There are three choices for mounting: 1) hex cap bolts (3B) with flat washers (5B) and nylon lock nuts (4B); 2) U-bolt (2B) with washers (5B) and nylon lock nuts (4B); 3) self-tapping screws (6B). See Figure 10 for U-bolt installation.

Hex cap bolt torque
21-25 lb.-ft. (30-34Nm)

U-bolt torque
4-6 lb.-ft. (5.4-8.1Nm)

Self-tapping screw torque
No torque spec is provided for self-tapping screws because there are too many variables.

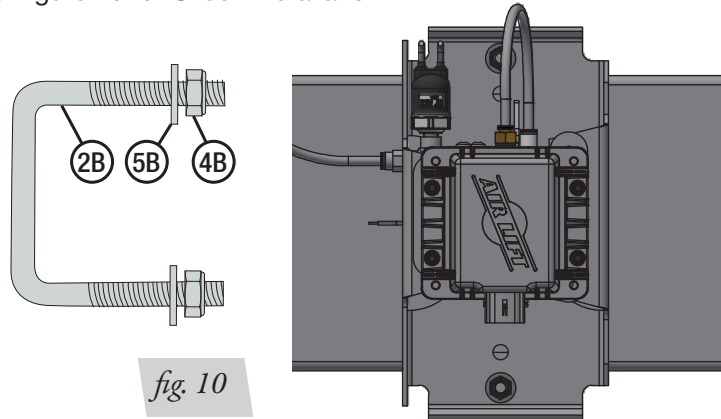
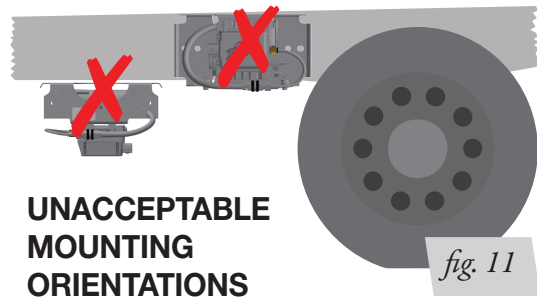


fig. 10

2. EZ Mount can be mounted in any orientation except with the Air Lift logo upside down or with the Air Lift logo facing the ground (Fig. 11). There are mounting holes in the web of the EZ Mount bracket and in the top flange. Use the included drilling template (Figs. 20 & 21) for mounting with self-threading screws or hex cap bolts. Use a 1/4" drill bit to make pilot holes if using self-tapping screws. If mounting from the frame, before drilling, ensure that the back side of the frame is clear of vehicle components, including brake lines, fuel lines, wiring, etc. Do not remove components from the EZ Mount assembly.



UNACCEPTABLE MOUNTING ORIENTATIONS

fig. 11

3. Attach the wiring harness to the top (preferred) or bottom of the EZ Mount bracket with zip ties (E).
4. The harness can be routed underneath the vehicle on either the passenger's (right) or driver's (left) side based on where you decided would be the best location to mount the system.

CAUTION

DISCONNECT THE BATTERY GROUND BEFORE INSTALLING THE SYSTEM.

CAUTION

REMOVE ALL FUSES WHEN JUMP-STARTING OR WELDING ON THE VEHICLE. FAILURE TO DO SO COULD DAMAGE THE MANIFOLD.

NOTE

The manifold assembly can be no longer than 6' (6 feet) from the tank assembly based on wiring.

CAUTION

DO NOT EXTEND ELECTRICAL WIRING, OR THIS COULD RESULT IN SYSTEM FUNCTION ISSUES.

5. Route battery power (red), ground (black), and ignition wire (pink) from the frame rail (where you mounted your components) up to the engine compartment where the battery and fuse box is located. Ensure you have enough for integrating into those locations without extending the wires.
6. Attach to secure components every 6-8" all the way down to where you mounted the wiring for the tank/manifold/compressor.

Frame Rail Component Wiring

The integration steps may be different based on the way the system is mounted. Shown below are the connections that need to be made:

- a. **Manifold Connector:** Install the connector off the main harness (B) to the manifold. You should hear an audible click when attaching the connector to the manifold.
- b. **Solenoid Valve:** Crimp the red butt connectors (DD) between the solenoid valve and the main harness wires labeled solenoid valve. Apply heat to the butt connectors to seal them.
- c. **Pressure Switch:** Crimp the blue butt connector (X) to one of the black wires off the pressure switch (Fig. 12). Apply heat to the butt connector to seal it. To the other black wire on the pressure switch, crimp a yellow ring terminal (W) to the end. This will need to attach to the frame using a self-tapping screw (Q). This must have a good ground connection to the frame.

NOTE

It may be necessary to grind some paint or rust off the frame to make a good connection.

- d. **Compressor:** Cut off the terminals on the compressor before attaching to the main harness. Crimp the yellow butt connectors (V) between the compressor and the main harness compressor wires (Black to Black & Red to Red/White). Apply heat to the butt connectors to seal them (Fig. 12).

Engine Compartment Component Wiring

Previously, the wiring was routed to the engine compartment to reach the battery and fuse box. Shown below are the connections that need to be made:

- a. **Battery:**
 - i. *Power* - Crimp the yellow butt connector (V) to the red power wire on the main harness. Crimp the other end to the Red ATC fuse holder (R) after cutting the wire to split it into two equal halves. Apply heat to the butt connector to seal it. Crimp the yellow 3/8" (CC) or 1/4" (W) ring terminal to the other side of the red wire on the ATC fuse holder. Attach the ring terminal to the positive battery post.

CAUTION

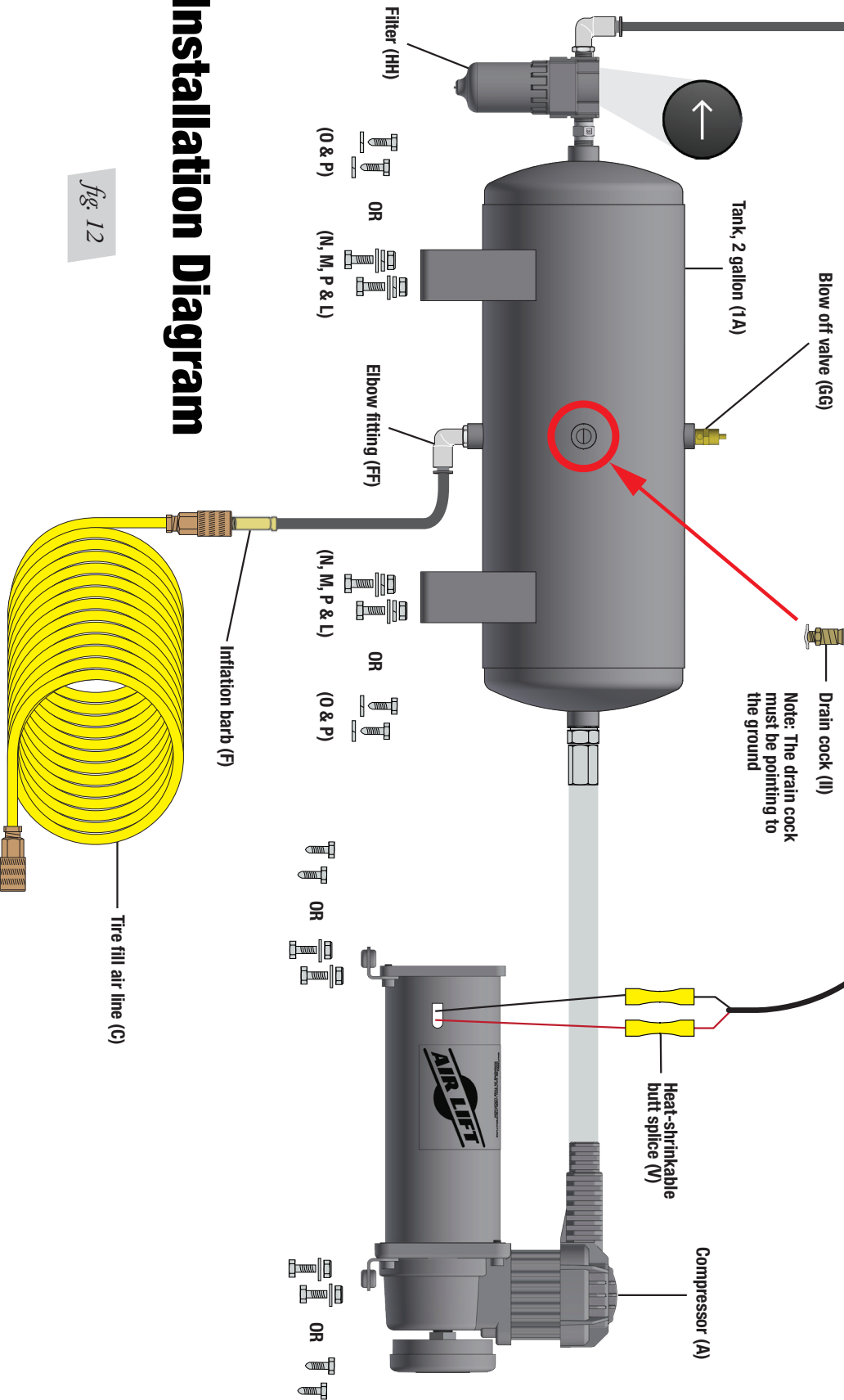
DO NOT INSTALL THE FUSE AT THIS TIME.

- ii. *Ground* - Crimp the yellow 3/8" (CC) or 1/4" (W) ring terminal to the black ground wire on the main harness. Attach the ring terminal to the ground battery post.
- b. **Keyed Power Source (Fuse Box):**
 - i. *Ignition Wire* - Crimp the blue butt connector (X) to the pink ignition wire on the main harness. Crimp the other end to one of the black mini fuse holder (S) ends. Apply heat to the butt connector to seal it.
 - ii. Determine the correct fuse adapter type (Fig. 13) for your selected fuse and install the fuse into the adapter (BB or AA), then install the fuse back into the fuse box. Connect the end of the fuse holder with the female push-on connector (Y or Z) onto the adapter. If you have the standard ATC-type fuses, use adapter #1 (BB). Many late-model vehicles use a smaller mini-type fuse requiring adapter #2 (AA). If you use adapter #1, you will need to crimp on a 1/4" (14-16GA) female connector (Z) supplied in kit. If you use adapter #2, you will need to crimp on a 3/16" (14-16GA) female connector (Y) supplied in the kit. Connection to the fuse terminal will depend on what type of fuse your vehicle uses.

NOTE

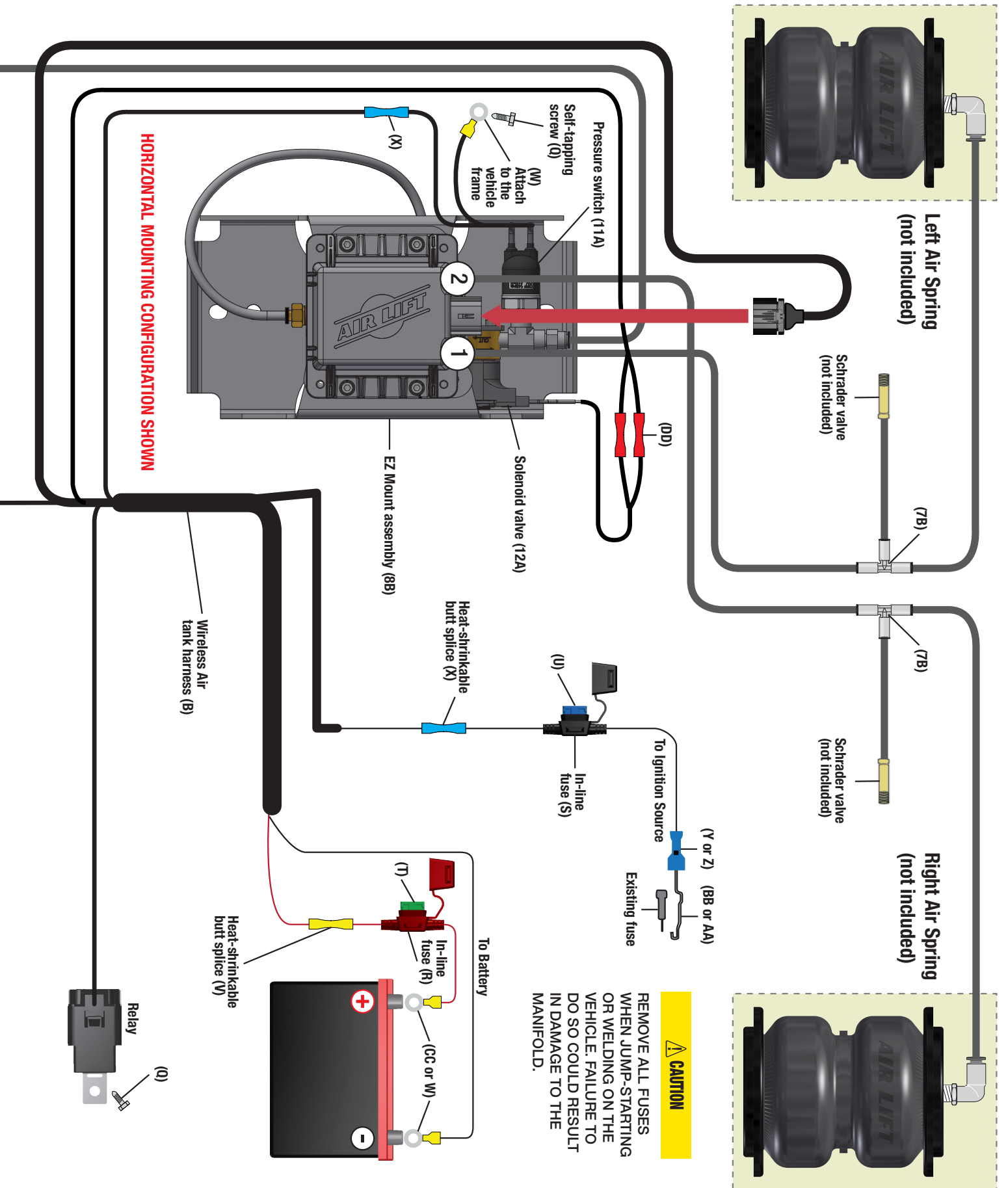
This diagram is a representative image. The system can be installed in multiple ways.

Refer to component list on Pages 2-3 for complete part descriptions.

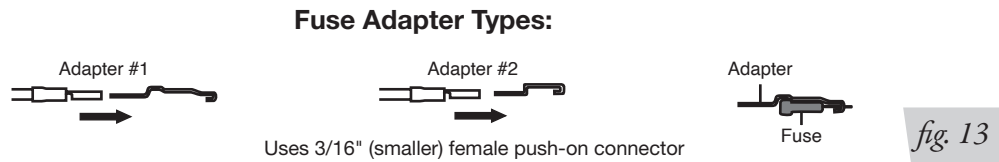


Installation Diagram

fig. 12



1. Attach a supplied female push-on connector to the other end of the fuse holder using the correct size for the needed adapter (Fig. 13).

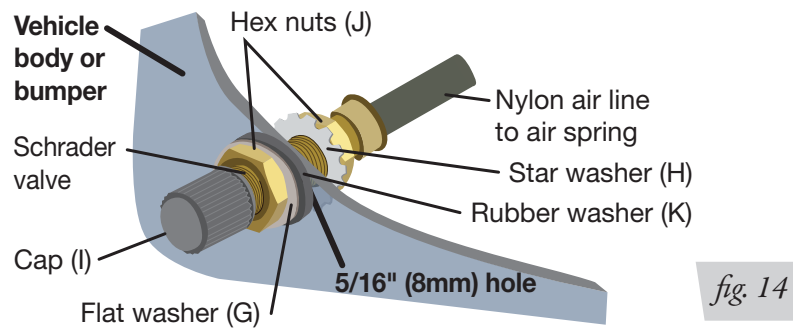


2. After all the connections are made, you are ready to install the fuses in the fuse holder.

Remote Mount the Fill Port

The nylon air lines are routed from the tank to the auxiliary Schrader port for use with the coil hose (C).

1. Determine the location for the auxiliary port. Cut a length of air line to reach from the elbow fitting in the tank previously installed to this desired location. Install one end of the air line into this fitting.
2. Make clean, square cuts with a razor blade or hose cutter (See Fig. 15 in the Cutting Air Lines section). Do not use scissors or wire cutters.
3. Use zip ties to secure the air line to fixed points along the chassis. Do not pinch or kink the air line. The minimum bend radius for the air line is 1" (25mm). Leave at least 2" (50mm) of slack in the air line to allow for any movement that might pull on the air line.
4. Install the Schrader valve (Fig. 14) in the chosen location. Attach the other end of the air line into the Schrader valve.



Cutting Air Lines

Use a sharp knife or a hose cutter and make clean, square cuts (Fig. 15). Do not use scissors or wire cutters because these tools will deform the air line. Do not cut the lines at an angle. The minimum bend radius for 1/4" air line is 1" (25mm). Air lines are to be installed straight into fittings. Inspect the air line for scratches that run lengthwise. Contact Air Lift customer service if the air line is damaged.

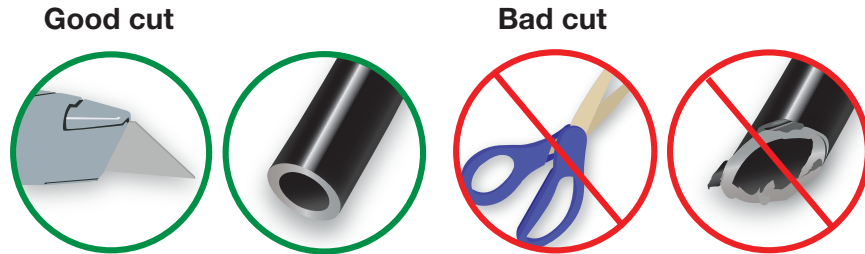


fig. 15



To watch a video demonstrating proper air line cutting, go to air-lift.co/cuttingairline.

Installing the Air Lines

Please refer to the Installation Diagram (Fig. 12) for complete air line routing instructions.

Final Steps: Mobile App/Controller Pairing

For details on pairing your supported Apple (Fig. 16) or Android (Fig. 17) device or Wireless controller (Fig. 18), please refer to your User Guide (AD-963) included with your kit.

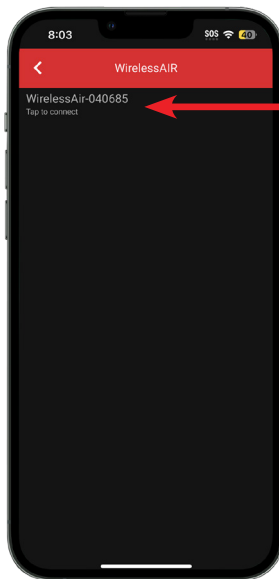


fig. 16



fig. 17



fig. 18



Drilling Template for the Air Compressor (16544)

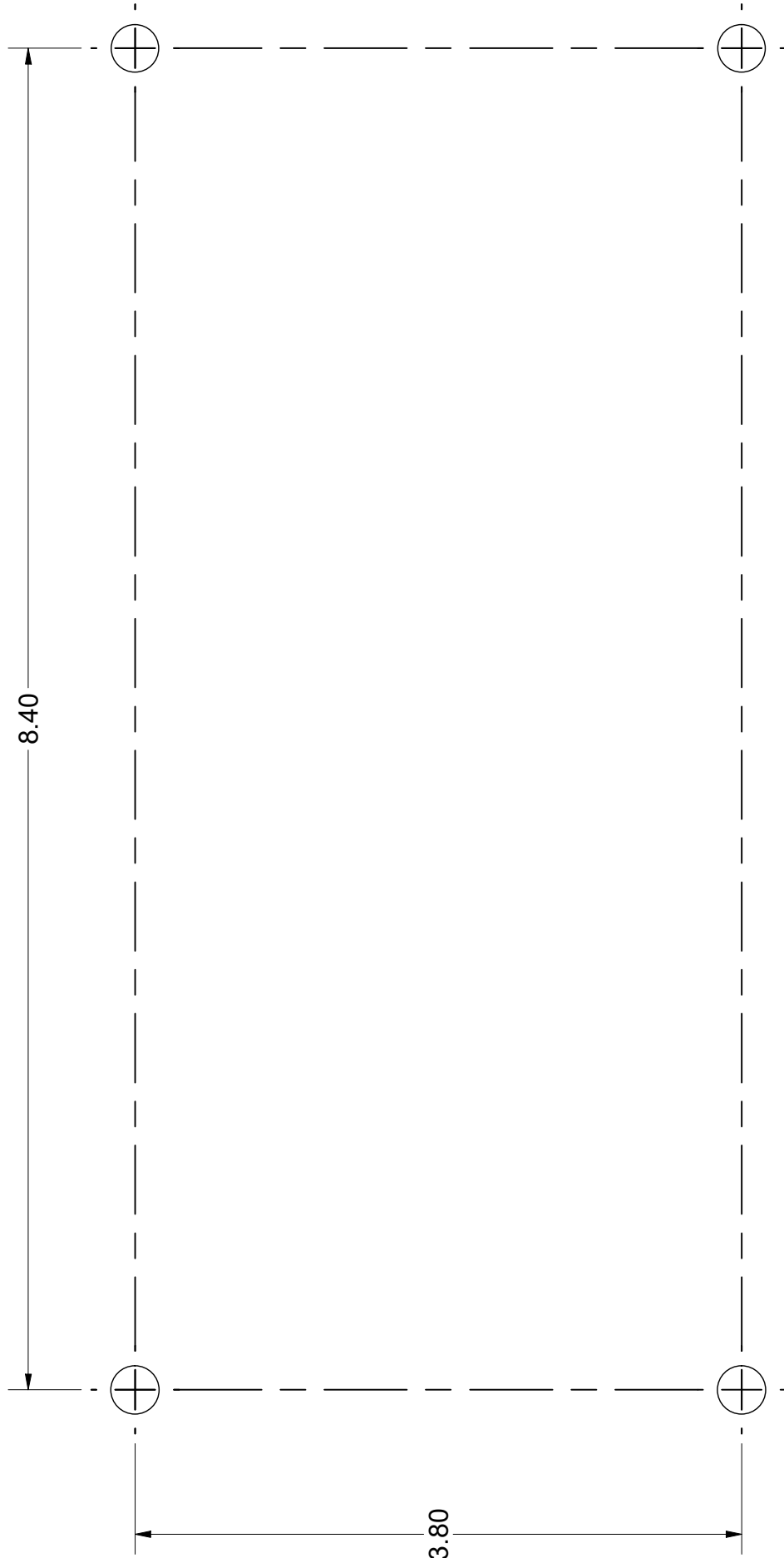


fig. 19



Drilling Templates for the EZ Mount Assembly (26566) - Figs. 20 & 21

DRILLING TEMPLATE VERIFICATION

CAUTION

IMPORTANT: CONFIRM THIS TEMPLATE IS PRINTED AT 100% SCALE BEFORE USE. THIS IS A DRILLING TEMPLATE, WHICH WOULD BE RENDERED INCORRECT IN DIMENSION IF PRINTED WITH ANY SCALING. USING AN INCORRECT TEMPLATE TO DRILL HOLES MAY CAUSE DAMAGE TO THE VEHICLE!

PLEASE REFER TO THE ONE-INCH OR 1CM SCALES AND USE A MEASURING TOOL TO CONFIRM THAT THE PRINTED SCALE MEASURES 1" OR 1CM TO VERIFY THAT THE TEMPLATE HAS BEEN PRINTED AT 100% SCALE.



CAUTION

DO NOT MOUNT EZ MOUNT WITH THE WIRING HARNESS CONNECTOR OR AIR LIFT LOGO POINTED DOWN (FIG. 11).

DO NOT HANG EZ MOUNT FROM A HORIZONTAL SURFACE USING SELF-TAPPING SCREWS.

PLACE THE COMPONENTS AND ROUTE THE AIR LINES AND WIRING HARNESS TO AVOID HEAT SOURCES SUCH AS THE EXHAUST SYSTEM.

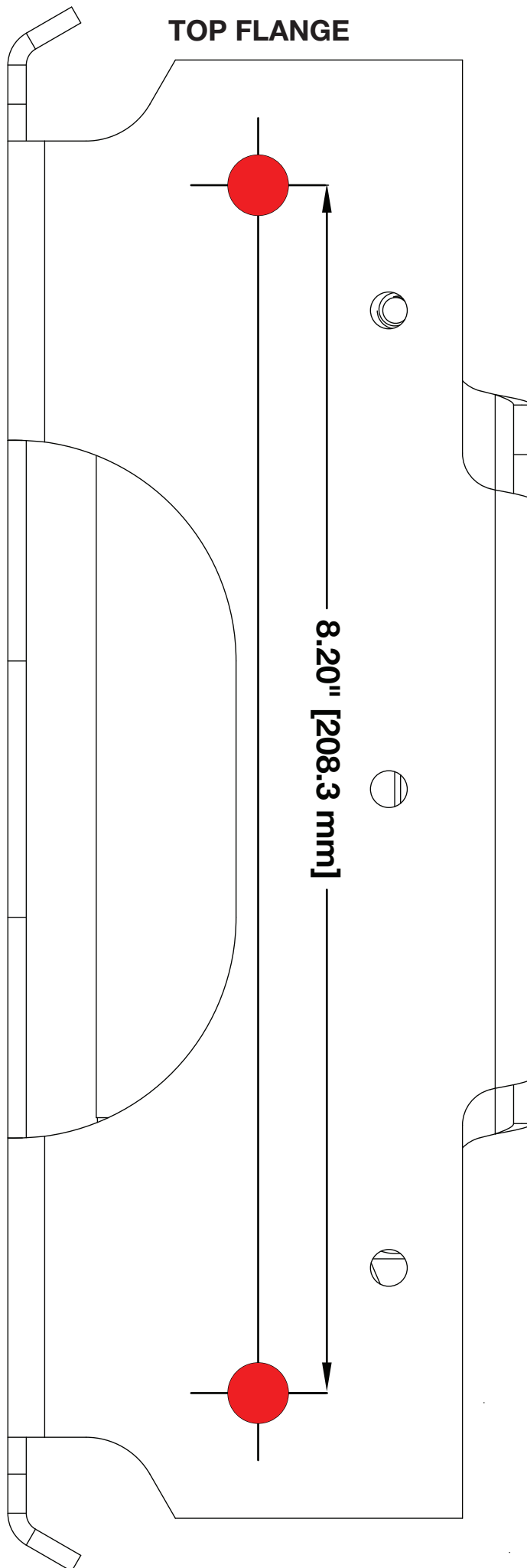
PROTECT AIR LINES AND WIRING WHEN ROUTING NEAR SHARP EDGES.

LOCATE EZ MOUNT IN AN AREA OF THE VEHICLE WHERE IT WILL BE SHIELDED FROM DIRECT SPLASH. EXCESSIVE MOISTURE CAN DAMAGE THE COMPRESSOR AND CAUSE SYSTEM FAILURE.

REMOVE ALL FUSES WHEN JUMP-STARTING OR WELDING ON THE VEHICLE. FAILURE TO DO SO COULD DAMAGE THE MANIFOLD.

fig. 20

* Fractional measurements are approximate.



WEB

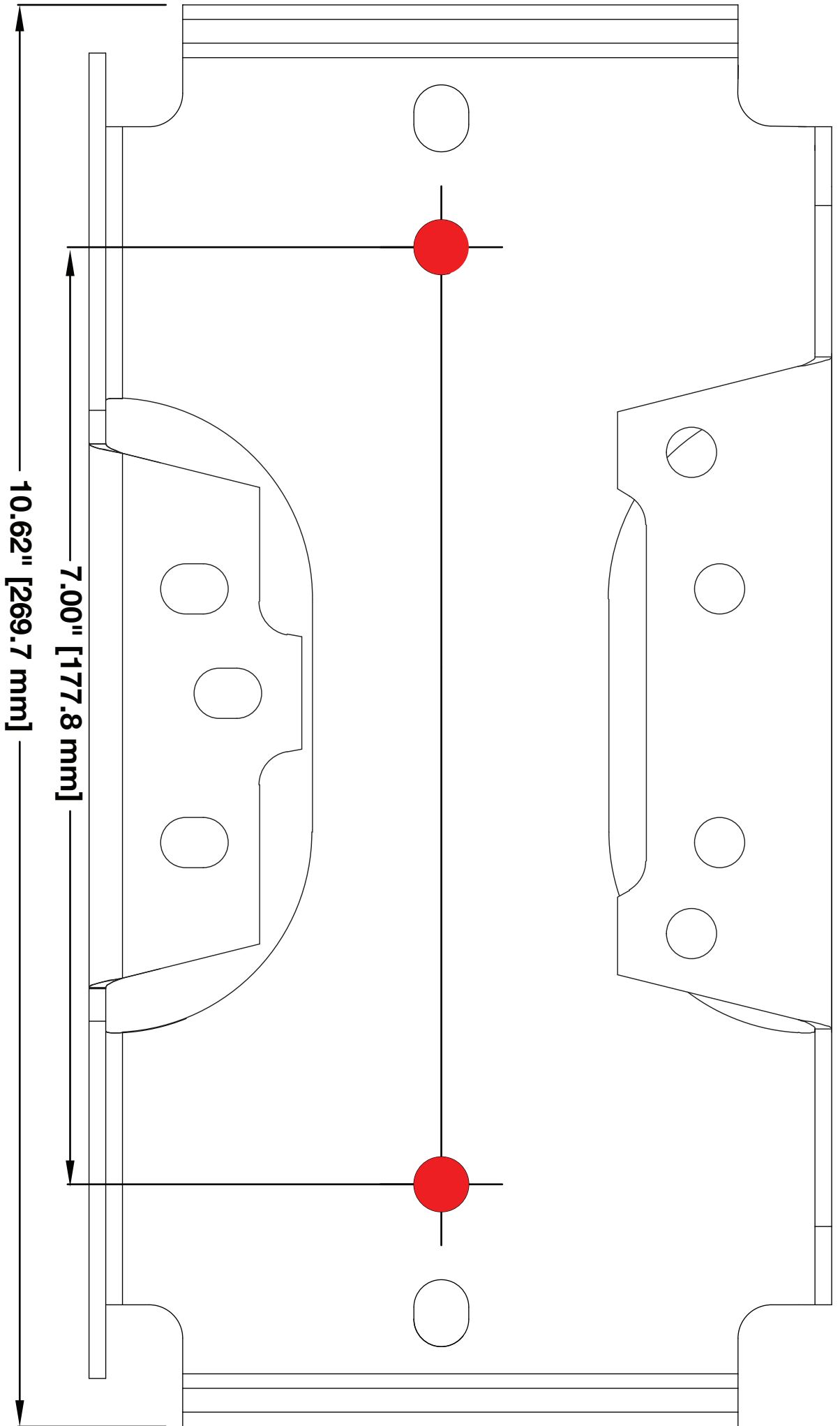


fig. 21





Drilling Template for the Air Tank (11175)

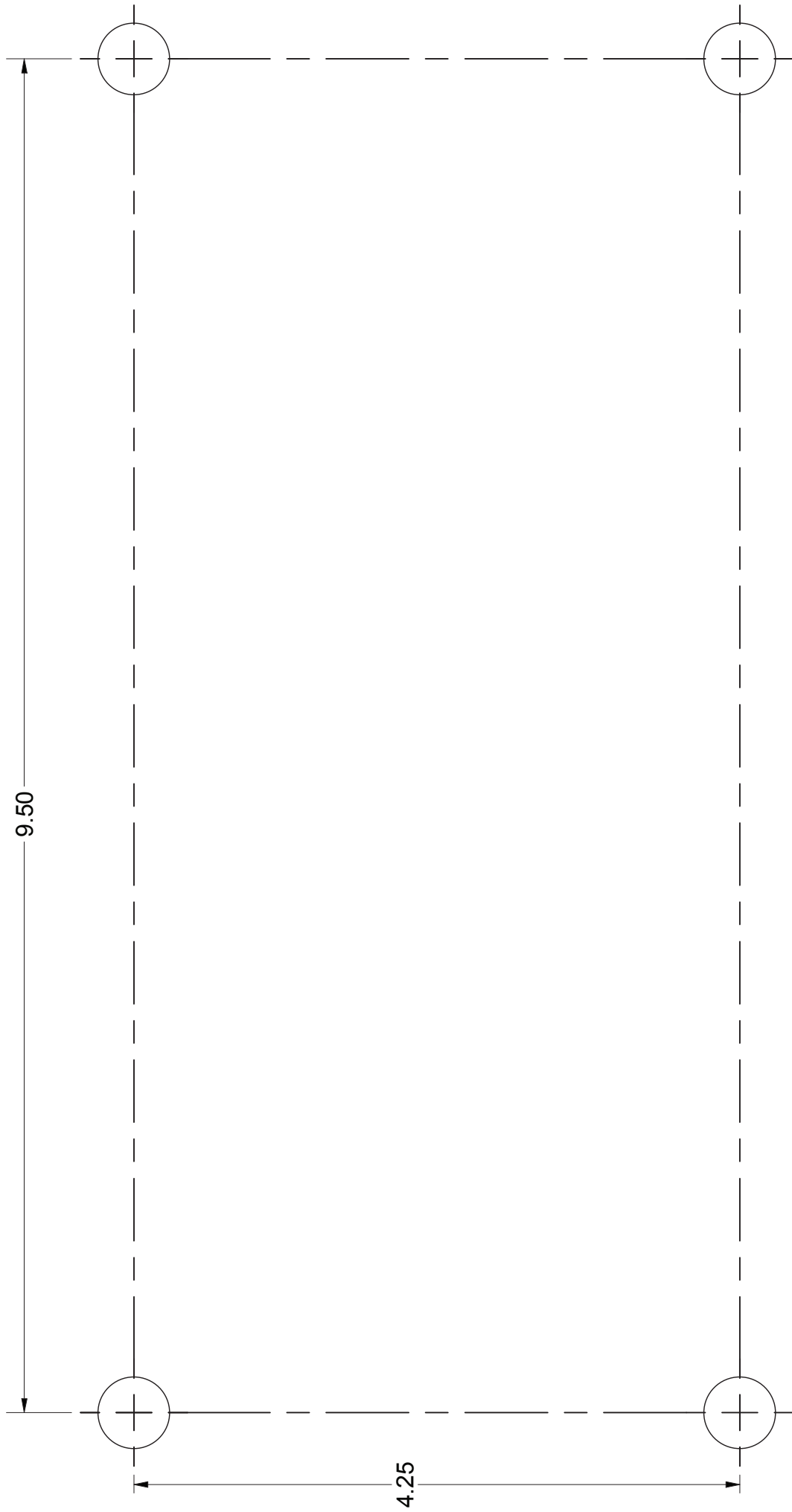


fig. 22



Limited Warranty and Return Policy

Air Lift Company provides a 2-year Limited Warranty* to the original purchaser of WirelessAir™ from the date of original purchase that the products will be free from defects in workmanship and materials when used on cars and trucks as specified by Air Lift Company and under normal operating conditions, subject to the requirements and exclusions set forth in the full Limited Warranty and Return Policy.

*Full Limited Warranty and Return Policy are available at www.airliftcompany.com/warranty and are subject to change.

Warranty Registration & Claims

- To register your warranty, please visit <https://www.airliftcompany.com/support/warranty/register/>
- To submit a warranty claim, please visit <https://www.airliftcompany.com/support/warranty/submit-claim/>

Replacement Part Information

If replacement parts are needed, contact the local dealer or call Air Lift customer service at (800) 248-0892. Most parts are immediately available and can be shipped the same day.

Contact Air Lift Company customer service at (800) 248-0892 first if:

- Parts are missing from the kit.
- Need technical assistance on installation or operation.
- Broken or defective parts in the kit.
- Wrong parts in the kit.
- Have a warranty claim or question.

Contact the retailer where the kit was purchased:

- If it is necessary to return or exchange the kit for any reason.
- If there is a problem with shipping if shipped from the retailer.
- If there is a problem with the price.

Contact Information

Mailing address P.O. Box 80167
Lansing, MI 48908-0167

Shipping address for returns 2727 Snow Road
Lansing, MI 48917

Phone Toll free: (800) 248-0892
International: +1 (517) 322-2144

Email service@airliftcompany.com

Web address www.airliftcompany.com

Need Help?

Contact Air Lift Company customer service department by calling (800) 248-0892.

For calls from outside the USA or Canada:
+1 (517) 322-2144.



Thank you for purchasing Air Lift products!

Air Lift Company reserves the right to make changes and improvements to its products and publications at any time. For the latest version of this manual, contact Air Lift Company at **(800) 248-0892** or visit www.airliftcompany.com.

Air Lift Company • 2727 Snow Road • Lansing, MI 48917 or P.O. Box 80167 • Lansing, MI 48908-0167
Toll Free (800) 248-0892 • Local (517) 322-2144 • Fax (517) 322-0240 • www.airliftcompany.com

Printed in the USA
JJC-0423

California: ⚠️WARNING: Cancer and Reproductive Harm - www.P65Warnings.ca.gov

